



AUTOMATIC DOOR SYSTEMS HOTEL RFID LOCKS

Ozone Automatic Door systems are designed to meet the ease of entry, safety, & security requirements. The flexibility in design & installation allows the Automatic Door systems to be integrated in any type of architecture.

SLIM FRAME PROFILE FOR 111P-PLUS AUTOMATIC DOORS

OZOM-111-FRAMESYS-SD 3x1.5M SLV-AN ₹ 65,270
Framed System for Single Sliding Door

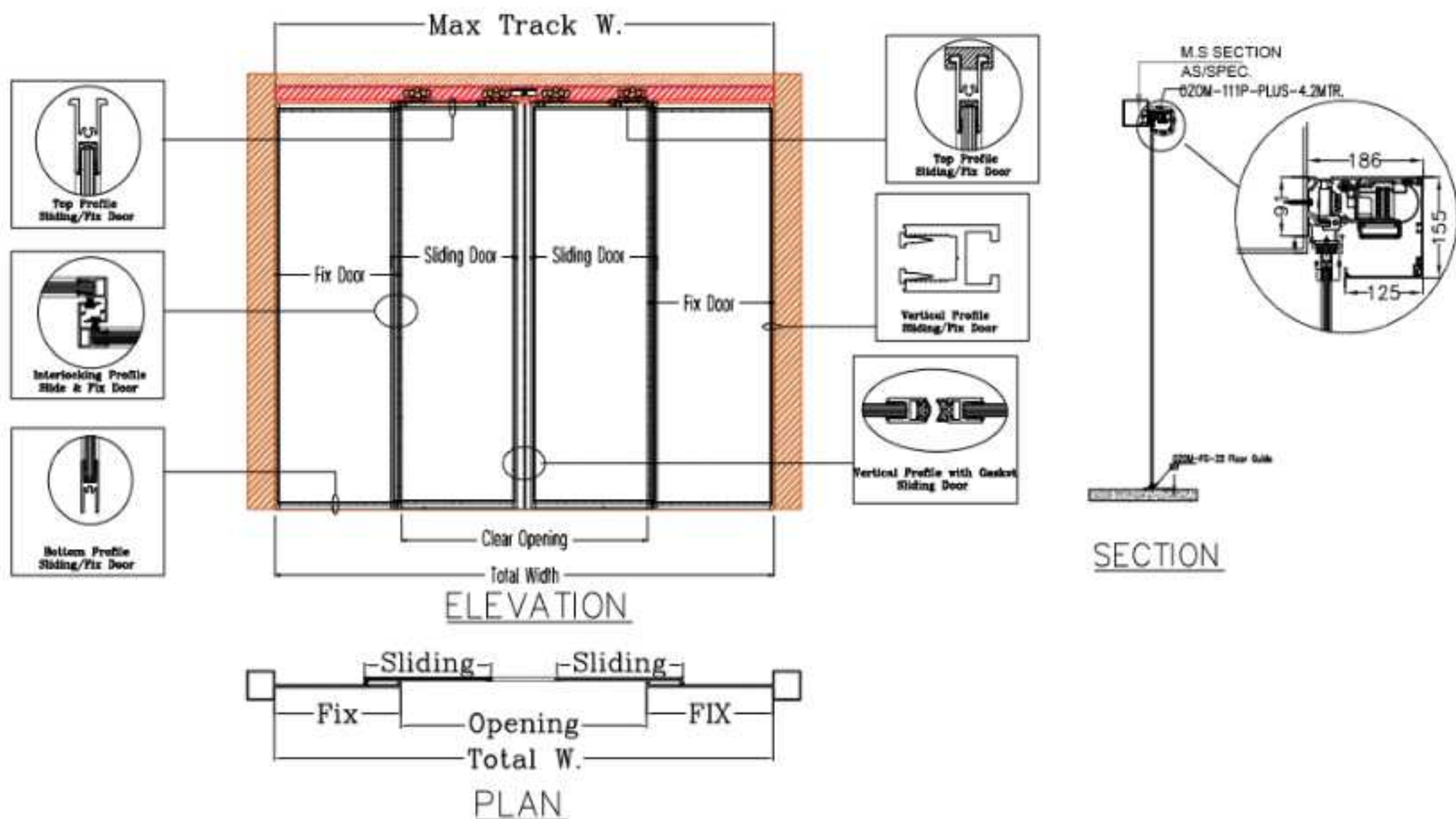
Also available in: **DM**

OZOM-111-FRAMESYS-DD 3x1.5M SLV-AN ₹ 1,39,100
Framed System for Double Sliding Door



Features:

- Sleek and slim design, which provides a modern and elegant appearance.
- With narrow profiles and large glass surfaces, it allows for maximum transparency and natural light.
- The profile is designed to provide excellent thermal insulation
- Suitable for various applications, including office buildings, retail stores, hospitals, and public facilities
- Support 10mm Glass thickness.



**PREMIUM PLUS AUTO SLIDING DOOR SYSTEM
(HIGH TRAFFIC AREA, HEAVY DUTY DOOR)**

S Series

Premium Collection of
Architectural Hardware

SS-316

OZOM-111P-PLUS 4.2M SLV-AN	₹ 1,73,955
OZOM-111P-PLUS 4.2M STD BM	₹ 2,04,700
OZOM-111P-PLUS 5.2M SLV-AN	₹ 1,93,355
OZOM-111P-PLUS 5.2M STD BM	₹ 2,22,360
OZOM-111P-PLUS 6M SLV-AN	₹ 2,07,640
OZOM-111P-PLUS 6M STD BM	₹ 2,43,400

Also available in: BM SLV-AN

Compact & Slim body | Noiseless Functionality | Intelligent Controller | Modular Design



Features:

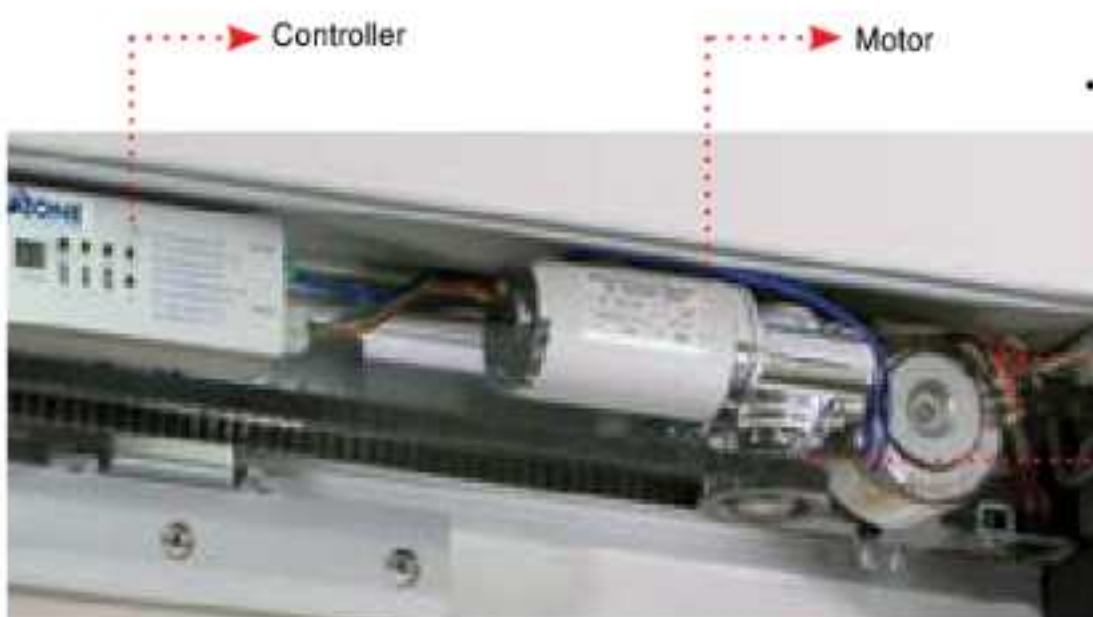
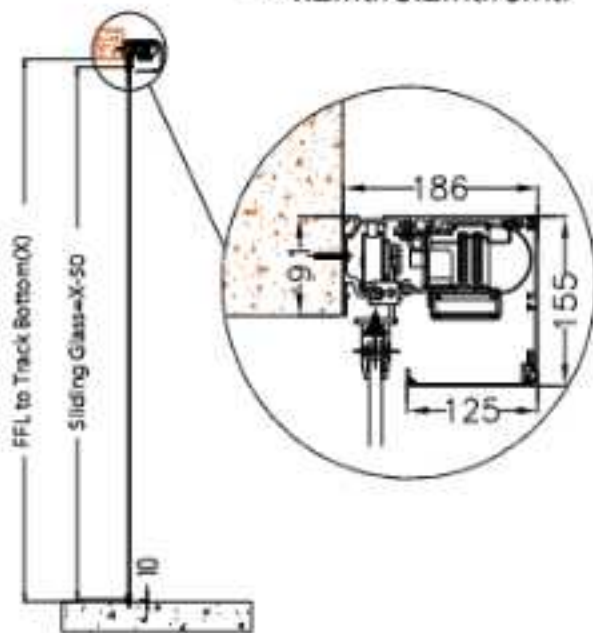
- Engine case, height: 92mm
- Self-learning micro-computer processing controller
- Slim type track
- 24V DC 65W brushless motor with built-in rectifier
- Adjustable parameters
- Engine case cover height: 155mm
- Adjustable tensioner wheel
- Operating standard cycle for 10,00,000 cycles in-house tested

Specifications:

- Single/Bi-parting sliding door system
- Single panel door weight: 1x120 kg
- Double panel door weight: 2x120 kg
- Maximum door width : 2/2.5/3mtr
- Adjustable parameters for opening speed, door buffer distance, door buffer intensity, closing speed, closed buffer distance, closed buffer force, opening hours, & starting force
- Integration possible with Microwave Sensor, Hand wave Sensor, PIR Sensor, Wireless Push Button, Safety Beam, Remote Control, Push Buttons, etc.
- Warranty will be lapsed in absence of CVT.

Track length option:

- 4.2mtr/5.2mtr/6mtr



Scan QR for
Installation Video

EASY PLUS AUTO SLIDING DOOR SYSTEM (AUTOMATIC SENSOR DOOR FOR LOW TRAFFIC AREA)

E Series

OZOM-111E-PLUS-N 4.2M AN	₹ 1,17,900
OZOM-111E-PLUS-N 4.2M BM	₹ 1,35,585
OZOM-111E-PLUS-N SINGLE 2.4M AN	₹ 67,375
OZOM-111E-PLUS-N SINGLE 2.4M BM	₹ 77,480

Also available in:

BM

Compact & Slim body | Intelligent Controller | Modular Design | Noiseless Functionality



Features

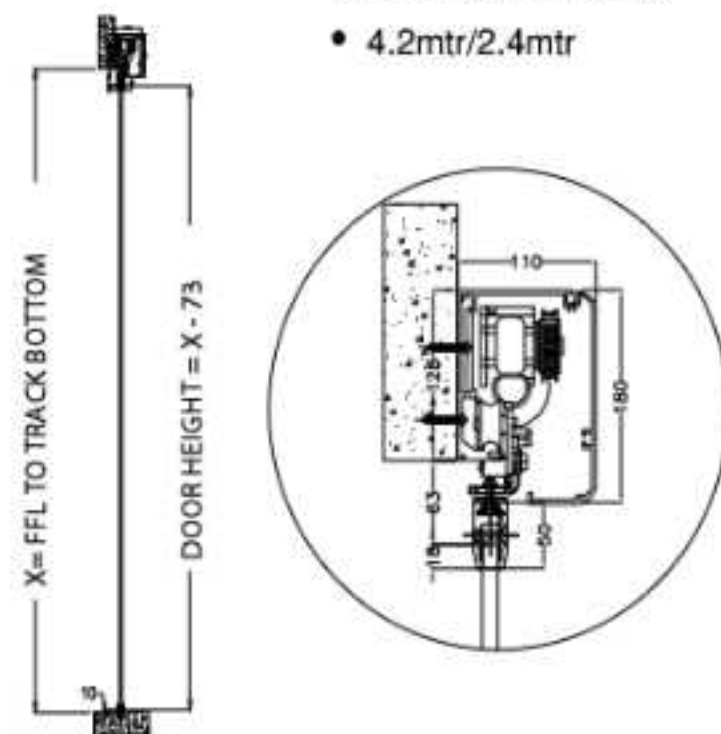
- Engine case, height: 128mm
- Engine case cover height: 180mm
- Self learning micro computer processing controller
- Adjustable tensioner wheel
- 24V DC 65W brushless motor
- Digital adjustable parameters

Specifications:

- Single / Bi-parting sliding door system
- Single panel door weight: 1x100 kg
- Double panel door weight: 2x100 kg
- Maximum door opening : 2mtr
- Adjustable parameters for opening speed, closing speed, opening buffer speed, closing buffer speed, opening buffer distance, closing buffer distance, opening time & opening force
- Integration possible with Microwave Sensor, Handwave Sensor, PIR Sensor, Finger Print Controller Wireless, Push Button, Safety Beam Remote Control, Push Buttons etc
- Warranty will be lapsed in absence of CVT.

Track length option:

- 4.2mtr/2.4mtr



AIRDRIVE - THE WORLD'S SLIMMEST AUTOMATIC SLIDING DOOR SYSTEM

S Series

Premium Collection of
Architectural Hardware

OZOM-AD68N 4.5M SS ₹ 3,38,880

OZOM-AD68N 5.9M SS ₹ 3,60,435

SS-316



Features:

- Manufactured as per ISO 9001 : 2000 standards
- CE conformity & compliant with EU Standards EN 16005, EN 60335, EN ISO 13849 1:2008 & German standard DIN 18650
- Exquisiteness combined with strength & soft performance
- Ability to work with 20% higher or lower than nominal input voltage
- Completely protected system input ports which reduces the damage risk due to human error during installation
- Best choice for professionals who wish to create pure beauty & graceful architecture

Specifications:

- Track/engine case: 68x135mm (ht x depth)
- Track length: 4.5 & 5.9mtr
- Door type: automatic
- Single leaf door weight: 1x150kg
- Double leaf door weight: 2x120kg
- Maximum door opening width: 2000mm for single panel & 3000mm for double panel
- Motor: compliant with EU low voltage directives with maximum power consumption of 250W
- Opening speed: adjustable 100-550mm/sec
- Closing speed: adjustable 100-500mm/sec
- Warranty will be lapsed in absence of CVT.

Slimmest Track of 68mm height



PANIC BREAKOUT - AUTOMATIC SLIDING DOOR SYSTEM

OZOM-PB-G STD ₹ 14,39,300



Watch Video

Best for larger door passage requirement



Get wider door opening with panic breakout feature



Panic breakout feature facilitates quick evacuation

Specifications:

Single leaf Door Weight	100 Kg
Double leaf Door Weight	100x2 Kg
Power consumption	200W
Ambient temperature	-30°~+50° C
Motor	Dunkermotoren from Germany
PSA control Panel	37 parameters could be set
Track and Cover	High strength, 5mm thickness

Features:

- Includes overlapping frames and sealing to ensure air tightness
- Intelligent design, easy to install, and adjust
- UPS backup battery ensures the door operating 30 minutes normally if power fails (Optional)
- Automatic stop function
- Push open at any position
- Warranty will be lapsed in absence of CVT

Applications:

- Airports, Shopping Malls, Car Showrooms, and Warehouses

TELESCOPIC AUTOMATIC SLIDING DOOR SYSTEM

Ozone Telescopic Automatic Door System is designed to work on double pulley mechanism that enables wider door opening with less parking space. With our Telescopic Automatic Door System, you can achieve upto 3mtr wide door opening making it best suitable for automobile showrooms and areas of high traffic movement.



Watch Video

OZOM-11-T 4.2M STD ₹ 3,23,060
OZOM-11-T 6M STD ₹ 3,43,435

Telescopic Automatic Sliding Door System with one on one panel

TECHNICAL PARAMETER	OZOM – 11T
Power	AC 220V (50-60 Hz), AC 110v (option)
Controller	Micro-Processing
Motor	DC 24V 60W/90W
Door weight maximum	90kg x 2/125kg x 2
Door width	Minimum 550mm
Opening time	0-10 sec.(Adjustable)
Power Transfer	UPS, Program Switch

Features:

- For a wider door opening space, install 02 panels door in a space of one
- 02 door panels move at 2:1 speed ratio at the same time
- Warranty will be lapsed in absence of CVT

SEMI AUTOMATIC SLIDING DOOR SYSTEM

OZOM-SA-111-N ₹ 48,660

The Semi Automatic Doors System is a sliding door which is opened manually but closes automatically on its own with the help of an air cylinder mechanism. It does not require any electrical connection. Another important feature of this door is that it closes softly on the last end making the process smooth and silent. The closing speed can be adjusted as per the traffic movement and opening size. The Maximum door width possible for this system is 1000mm (track length 2100mm) and the Maximum door weight is 80kg. The door can be integrated with standard locks. An ideal application for these doors is rest room entrances, conference rooms, etc. The system can be used for frameless glass doors as well as framed/wooden doors.



Semi-Automatic Door Technical Parameters

TECHNICAL PARAMETERS	OZ-OM-SA-111
Single leaf Maximum opening width	1000mm
Maximum door weight	80Kg
Maximum door height	2100mm
Door Type	Framed & Frameless doors
Door parking when open	Possible
Glass cut-out	Not required

Features:

- Suitable for Frameless glass doors, wooden doors, & framed doors
- Door open manually and closes automatically
- Come with in-built air cylinder mechanism
- No electrical connection required
- Soft & Silent door closing
- Closing Speed can be adjusted

Application:

- Rest room entrances, office cabins, conference rooms, and meeting rooms.

REVOLVING DOOR SYSTEMS



Watch Video

A building entrance should ensure smooth & secure traffic passage and at the same time add aesthetic value. Hence, a door system should be chosen which meets functional as well as aesthetic requirement of the space. Ozone Revolving Doors are just the right fit for such building entrances. They offer varied security & functionality benefits along with outstanding user experience and impart a spectacular look to the entrance.

*OZONE Revolving Door Systems:

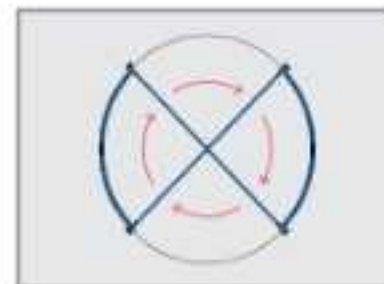
- Available with 3 or 4 leaf configuration
- Automatic and manual options
- Suitable for main entrances of commercial establishments
- Ensure safe & smooth Traffic flow
- Anti-collision & Anti-squeeze Function
- Custom solutions available



Emergency Stop Button



Slow Turning Feature for Specially Abled People



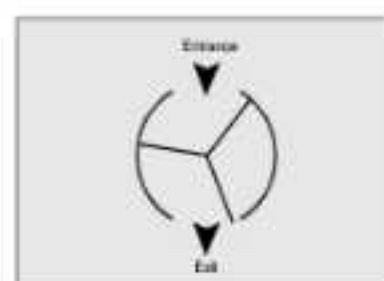
4 Leaf Revolving Door



3 Mode Selection Lock Key



Side & Bottom Brushes to Prevent AC Loss



3 Leaf Revolving Door



Radar Detectors

*Available on Specific Demand

REVOLVING DOOR SYSTEMS

*Manual Revolving Door Technical Parameters

DOOR PARAMETERS	MANUAL REVOLVING DOOR
Type of drive unit	Manual
Roof outside color	Anodized
Roof outside	Water proof with 2 side drainages
Diameter	1800-3600mm
Total height	2500mm
No. of door leafs	3/4 leaf
Optional accessories (Additionally Charged)	Speed control system & panic breakout available

*Automatic Revolving Door Technical Parameters

DOOR PARAMETERS	AUTOMATIC REVOLVING DOOR
Type of drive unit	Automatic
Roof outside color	Anodized
Roof outside	Water proof with 2 side drainages
Diameter	1800-3600mm
Total height	2500mm
No. of door leafs	3/4 leaf
Door locking	Key locking with drop bolt
Lighting	3x12V decoration light
Accessories	Emergency stop button, drive unit, button programme switch & handicap switch (2 sets)
Sensor	Radar sensor
Safety Sensor	Leading mullion sensor (safety sensor for inside and outside entrance)
Power supply	220V/AC 10% 50 Hz
High speed adjustment range	1-4 RPM
Low speed adjustment range	0.5 - 1.5 RPM
Motor Power	250W
Lighting power	300W
Control system power	50W

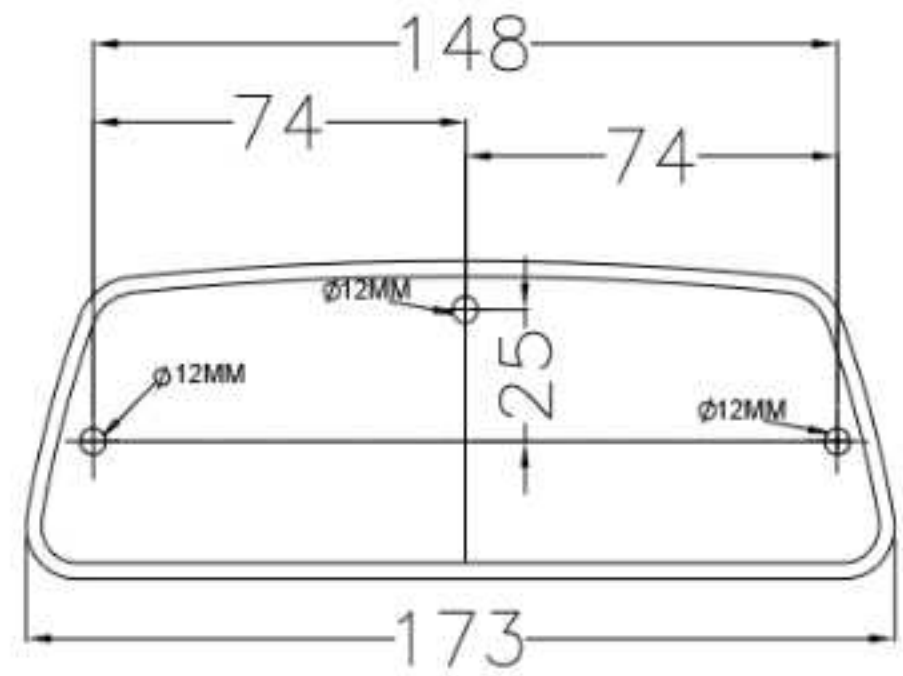
*Technical specification will vary as per project requirement.

AUTOMATIC SLIDING DOOR SYSTEMS

OZOM-AC-99N STD BLACK ₹ 9,695

Microwave Sensor

High sensitivity, wide range eagle type sensors with least interface with industrial noise.



AC-99N Line Drawing

Technical Specification

Technology	Radar 24.125 GHz
Mounting Height	1.8 - 3m
Operating Voltage	12-36 VDC / 12-28 VAC
Operating Current	max 32 mA at 24 VDC
Power Consumption	max.1.3 W
Output Radar	max. switching voltage: 48 VAC/VDC max. switching current: 120 mA max. switching current: 550 mV
Protection Type	Suitable for use acc. to IP54
Operating Temperature	-20° to 60°C
Dimensions	172x60x48mm(LXWXD)
Output	relay (free of potential change-over contact)
• Maximum contact voltage	42V AC-60V DC
• Maximum contact current	1A (resistive)
• Maximum switching power	30W (DC)/60VA (AC)
Weight	120g
Cable Length	3m

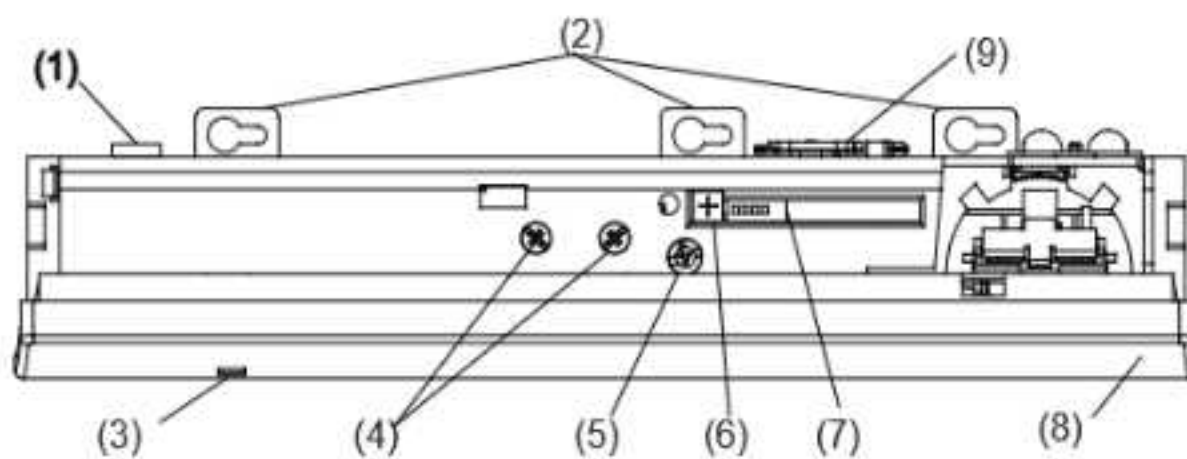
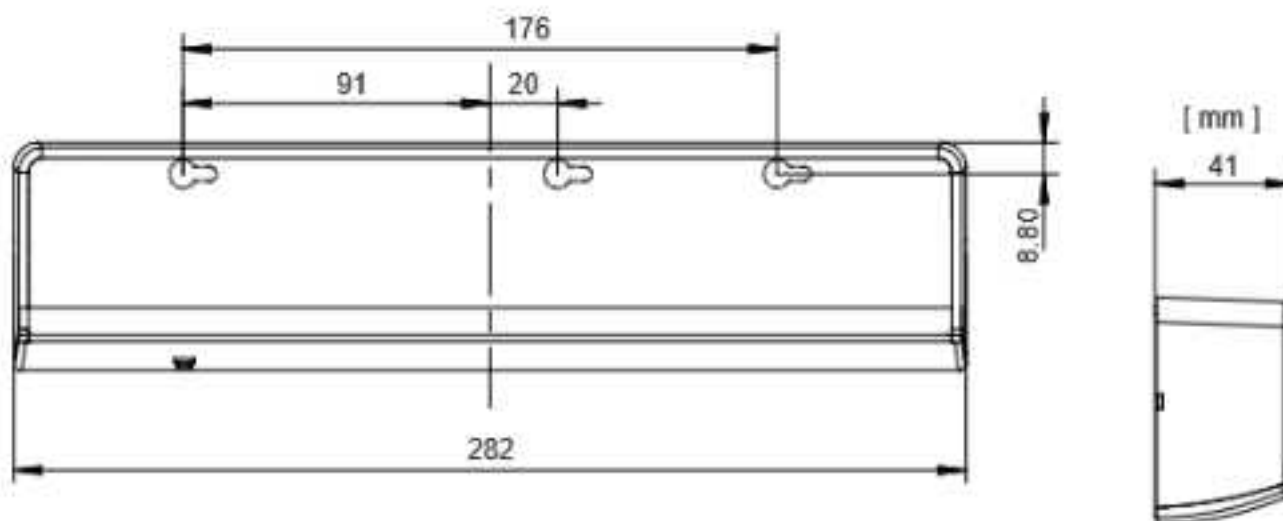
MOTION SENSORS

OZOM-AC-11-ZS-N STD ₹ 18,190

Combo Microwave Sensor: High sensitivity, wide range eagle-type sensors with least interface with industrial noise. Infrared Sensor for Active and presence detector.

Opening & safety sensor for automatic sliding doors

Another use of the device is outside the permitted purpose and can not be guaranteed by the manufacturer. The manufacturer cannot be held responsible for incorrect installations or inappropriate sensor adjustments.



1. Cover
2. Mounting holes
3. Operation indicator
4. Width adjustment screw
5. Depth angle adjustment screw
6. Microwave sensitivity screw
7. Dip switches
8. Detection window
9. Adjustment tool

TECHNICAL SPECIFICATION

Cover color	Black	Infrared sensor	
Mounting height	2m-3.5m	Infrared type	850mm
IP rate	IP54	Depth angle	-6 — +6
Signal output	NO/NC	Output hold time	1Sec
Quiescent current	70mA(12V)	Response time	< 0.3Sec
Working current	78mA(12V)	Microwave sensor	
Weight	230g	Microwave type	24.125GHz
Operation temperature	-20°C — +55°C	Depth angle	25 — 45
Power supply	AC/DC 12-24V	Output hold time	1Sec
Learning time	15s		

DOM TYPE SENSOR



Remote Control Functionality-

A 4-key remote allows for easy operation:

- Key A: Opens the door
- Key B: Switches working modes
- Key C: Adds face data
- Key D: Deletes face data

Features:

- Authorized access
- Low light detection
- Adjustable camera angle
- Versatile face passage mode
- Face storage capacity: 500



OZOM-FRS-01 STD BLACK*



Swing Door



Sliding Door

FACE RECOGNITION SENSOR FOR AUTOMATIC DOORS



Features:

- 4.3 inch smart fingerprint control
- Equipped with binocular HD live camera
- Touch menu management
- Multiple access modes
- Material: ABS + Acrylic Panel
- Identification distance: 0.3m - 1.5m
- 5000 capacity for Face, Fingerprint, Card, and Password Access



OZOM-DFR-11 STD

AUTO DOOR ACCESSORIES



₹ 435

OZOM-SW-11 STD
Large area push button for automatic doors



₹ 1,605

OZOM-SW-11M STD
Metallic wall mounting push button switch



₹ 12,885

OZOM-HWS-11 STD
Hand Wave Sensor



₹ 20,210

OZOM-FPC-11M STD
Finger Print Access Control



₹ 16,575

OZOM-WPB-22 STD
Wire less Touch/Push Button



₹ 13,880

OZOM-AC-22-FS STD
Foot Sensor Switch
Activates the door to open when the switch senses the foot.



₹ 10,410

OZOM-111E-PLUSN-ACC-EML STD
Electro Magnetic Lock



₹ 11,635

OZOM-111P-PLUS-ACC-EML STD
Electro Magnetic Lock



1mtr ₹ 5,485
1.5mtr ₹ 7,920

OZOM-PR-11 1M ZINC
OZOM-PR-11 1.5M ZINC
Aluminium clamp
Available in 1mtr. & 1.5mtr (pcs)



₹ 1,330

OZOM-FG-22 STD SS
Floor guides for framed doors with adjustable width (pcs)



SB-11N ₹ 11,170
SB-12 ₹ 76,380

OZOM-SB-11N STD SS
OZOM-SB-12 (Double Barrier)



₹ 835

OZOM-FG-11 STD SS
Floor guides for frameless glass doors (pcs)



₹ 4,245

OZOM-111P-PLUS REMOTE
Remote Control



₹ 4,245

OZOM-111E-PLUS-N REMOTE
Remote Control



₹ 6,365

OZOM-111P-PLUS-ACC-MFS STD
Multi-Function Switch



₹ 7,010

OZOM-111P-AC-11 STD
Remote Control for Automatic Sliding Door

AUTOMATIC SWING DOOR SYSTEMS

AUTOMATIC SWING DOOR OPERATORS FOR GLASS
AND WOODEN DOORS

SINGLE ACTION OVERHEAD DOOR OPERATOR



FOR FRAMED GLASS DOOR



OZOM-SD-200 STD AN ₹ 1,05,775

Automatic overhead door operator
Warranty will be lapsed in absence of CVT

200Kg



Watch Video

AUTOMATIC SWING DOOR SYSTEMS

AUTOMATIC SWING DOOR OPERATORS FOR GLASS
AND WOODEN DOORS

DOUBLE ACTION CONCEALED DOOR OPERATORS



OZOM-CSD-T STD SS ₹ 1,34,070
Top mounted concealed door operator

- Maximum Door Width (Wooden and Framed Door): 1500mm
- Maximum Door Width (Frameless Glass Door): 1200mm
- Suitable for Wooden, Framed and Frameless Glass Door
- Warranty will be lapsed in absence of CVT
- Extra hardware for Glass door: E-Series Patch Fittings



OZOM-CSD-B STD SS ₹ 1,34,070
Bottom mounted concealed door operator

- Maximum Door Width (Wooden and Framed Door): 1500mm
- Maximum Door Width (Frameless Glass Door): 1200mm
- Suitable for Wooden, Framed and Frameless Glass Door
- Warranty will be lapsed in absence of CVT
- Extra hardware for Glass door: E-Series Patch Fittings



Applications:

- Hospitals
- Hotels
- Passage/Lobby
- Specially-abled Toilets
- Retail Outlets
- Offices/Residential apartments/ Public Buildings
- Airports

Operator can be integrated with:

- Microwave sensor
- Foot switch sensor
- Hand wave sensor
- Electromagnetic locking machine
- RFID/Numeric/Fingerprint access control system
- Push Button

AUTOMATIC SWING DOOR OPERATORS TECHNICAL DATA TABLE

TECHNICAL PARAMETERS	OZOM-SD-200 STD AN	OZOM-CSD-T STD SS	OZOM-CSD-B STD SS
Maximum Door Width	1500mm	1500mm	1500mm
Maximum Door Weight	200kg	150KG	150KG
Opening Direction	Single action	Double Action	Double Action
Accessories Included	Controller, machine and remote	Controller, machine and remote	Controller, machine and remote
Installation Type	Top Installation	Top Installation	Floor Installation
Maximum Motor Power	65W/100W	65W/100W	65W/100W
Motor	DC 24V 55W/100W Brushless Motor	DC 24V 55W/100W Brushless Motor	DC 24V 55W/100W Brushless Motor
Closing Speed	10~43cm/s	3~14cm/s	3~14cm/s
Open Door Hold Time	0.5~10s	0.5~10s (adjustable)	0.5~10s (adjustable)
Open Range	70° ~ 115°	±90°	±90°
Supply Voltage	AC110V/AC220V 50Hz~ 60Hz	AC110V/AC220V 50Hz~ 60Hz	AC110V/AC220V 50Hz~ 60Hz
Use Temperature	-30° C ~ +50° C	-30° C ~ +50° C	-30° C ~ +50° C
Use Humidity	Less than 85%	35 ~ 85%RH (non-condensing)	35 ~ 85%RH (non-condensing)
Protection Level	IP64	IP64	IP44
Extended Function	Safety light eyes, such as remote control of various types of access control	Safety light eyes, such as remote control of various types of access control	Safety light eyes, such as remote control of various types of access control
Watt Power	14W	14W	14W
Fuse	Minimum 3.5A Slow	Minimum 2.5A	Minimum 2.5A
Maximum Current	1A	1A	1A
Dimensions	544x72x106 mm	288x86x72 mm	340x82x166 mm
Single/Double Door use	One set for single door, 2 set for double with common accessories	One set for single door, 2 set for double with common accessories	One set for single door, 2 set for double with common accessories
Product Image			

PREMIUM HOTEL RFID CARD LOCKS



OZHL-RF-V16-14L STD SS ₹ 16,155
OZHL-RF-V16-14R STD SS ₹ 16,155
 IDS & Opera Software Based Hotel Lock



OZHL-RF-V16-16L STD BM ₹ 17,120
OZHL-RF-V16-16R STD BM ₹ 17,120
 IDS & Opera Software Based Hotel Lock

ACCESSORIES FOR V-5 LOCKS



₹ 42,695
OZHL-RF-V16-ACC-HANDHELD-N BLACK
 Handheld Device



₹ 4,270
OZHL-RF-V16-ACC-PS-N STD BLACK
 Insert Card For Power Saver



₹ 24,600
OZHL-RF-V16-ACC-CR-N STD BLACK
 Card Reader



₹ 25,840
OZOM-RF-HLS
 Hotel Lock Software



₹ 175
OZHL-RF-V16-ACC-CARD-N STD BLACK
 RFID Card

*Available on request

HOTEL RFID CARD LOCKS



OZHL-RF-V9-11L STD BM ₹ 11,235
OZHL-RF-V9-11R STD BM ₹ 11,235
 Software Based Hotel Door Lock

ACCESSORIES FOR V-9-11R/L LOCKS



₹ 4,150

OZEL-RF-V9-ACC-PS-N WHITE STD
 Power Saver



₹ 4,150

OZEL-RF-V9-ACC-PS-N STD BM
 Power Saver



₹ 22,095

OZEL-RF-V9-ACC-DC-N STD WHITE
 Data Collector



₹ 25,840

OZOM-RF-HLS
 Hotel Lock Management S/W



₹ 18,720

OZEL-RF-V9-ACC-CR-N STD BLACK
 Card Reader



₹ 175

OZEL-RF-V9-ACC-CARD-N STD WHITE
 RFID Card

HOTEL RFID CARD LOCKS



OZHL-RF-V9-12R/L STD BM ₹ 10,060
Software Based Hotel Door Lock

ACCESSORIES FOR V-9-12R/L LOCKS



₹ 4,150

OZEL-RF-V9-ACC-PS-N WHITE STD
Power Saver



₹ 4,150

OZEL-RF-V9-ACC-PS-N STD BM
Power Saver



₹ 22,095

OZEL-RF-V9-ACC-DC-N STD WHITE
Data Collector



₹ 25,840

OZOM-RF-HLS
Hotel Lock Management S/W



₹ 18,720

OZEL-RF-V9-ACC-CR-N STD BLACK
Card Reader



₹ 175

OZEL-RF-V9-ACC-CARD-N STD WHITE
RFID Card

HOTEL RFID CARD LOCKS



OZHL-RF-V9-13L STD BM ₹ 9,575
OZHL-RF-V9-13R STD BM ₹ 9,575
 Software Based Hotel Door Lock

ACCESSORIES FOR V-9-13R/L LOCKS



₹ 4,150

OZEL-RF-V9-ACC-PS-N WHITE STD
 Power Saver



₹ 4,150

OZEL-RF-V9-ACC-PS-N STD BM
 Power Saver



₹ 22,095

OZEL-RF-V9-ACC-DC-N STD WHITE
 Data Collector



₹ 25,840

OZOM-RF-HLS
 Hotel Lock Management S/W



₹ 18,720

OZEL-RF-V9-ACC-CR-N STD BLACK
 Card Reader



₹ 175

OZEL-RF-V9-ACC-CARD-N STD WHITE
 RFID Card

HOTEL RFID CARD LOCKS



L Std. ₹ 9,020
R Std. ₹ 9,020

OZEL-RF-V9-666L-N STD SILVER
OZEL-RF-V9-666R-N STD SILVER
Software Based Hotel Door Lock
Also Available in Gold Finish



L Std. ₹ 10,090
R Std. ₹ 10,090

OZEL-RF-V9-666L-N STD GOLD
OZEL-RF-V9-666R-N STD GOLD



L Std. ₹ 7,565
R Std. ₹ 7,565

OZEL-RF-V9-777L-N STD SILVER
OZEL-RF-V9-777R-N STD SILVER
Software Based Hotel Door Lock
Also Available in Gold Finish



L Std. ₹ 8,070
R Std. ₹ 8,070

OZEL-RF-V9-777L-N STD GOLD
OZEL-RF-V9-777R-N STD GOLD

ACCESSORIES FOR V9-666 & V9-777 L/R STD LOCKS



₹ 4,150

OZEL-RF-V9-ACC-PS-N WHITE STD
Power Saver



₹ 4,150

OZEL-RF-V9-ACC-PS-N STD BM
Power Saver



₹ 22,095

OZEL-RF-V9-ACC-DC-N STD WHITE
Data Collector



₹ 25,840

OZOM-RF-HLS
Hotel Lock Management S/W



₹ 18,720

OZEL-RF-V9-ACC-CR-N STD BLACK
Card Reader



₹ 175

OZEL-RF-V9-ACC-CARD-N STD WHITE
RFID Card

HOTEL RFID CARD LOCKS



L SSS	₹ 15,345
R SSS	₹ 15,345
L PSS	₹ 15,900
R PSS	₹ 15,900

OZEL-RF-V11-444 R/L SSS
OZEL-RF-V11-444 R/L PSS
Software Based Hotel Door Lock



L SSS	₹ 11,640
R SSS	₹ 11,640
L PSS	₹ 10,860
R PSS	₹ 10,860

OZEL-RF-V11-555 R/L SSS
OZEL-RF-V11-555 R/L PSS
Software Based Hotel Door Lock

ACCESSORIES FOR V-11 LOCKS



₹ 175

OZEL-RF-V11-ACC-CARD STD
RFID Card



₹ 2,445

OZEL-RF-V11-ACC- QC STD
Query Card



₹ 4,150

OZEL-RF-V11- ACC-PS WHITE STD
Power Saver (30 AMP)



₹ 25,840

OZOM-RF-HLS
Hotel Lock Management S/W



₹ 20,505

OZEL-RF-V11-ACC-CR BLACK STD
Card Reader

*Available on request

DIGITAL GLASS DOOR LOCKS



Specifications:

- Suitable for Glass door thickness of **10mm~12mm**
- Material- Zinc Alloy & ABS

Features:

- 5 ways access: Mobile App, Fingerprint, RFID Card, User Pin Code, Unlock Through Remote
- Automatic Locking System
- Passage (open) Mode

Applications:

- Residential Apartments, Libraries, Offices, Hospitals



OZ-FGL-LIFE G2G BLACK ₹ 26,740

Glass-to-Glass Doors

OZ-FGL-LIFE G2W BLACK ₹ 26,205

Glass-to-Wall Doors



Access Options:



Fingerprint



RFID Card



User Pin Code



Mobile Access



Remote Unlock
(Optional)

HOTEL DND SYSTEM



OZ-DND-01 STD BLACK ₹ 11,930

OZ-DND-02 STD BLACK ₹ 14,685

HOTEL DND SYSTEM

Function: Make up room, do not disturb bell, hotel name, & room number display

MOVABLE ACOUSTIC WALL PARTITION SYSTEM

Available against orders only

OZOM-AS-45DB 85MM STD
OZOM-AS-52DB 100MM STD



STANDARD SPECIFICATIONS:

Movable Acoustic Wall Partition System shall consists of top hung manually operated acoustic panels which can be linked together to form an acoustic wall.

PANELS: Based on the requirement the panels shall be constructed of board separated by acoustic insulation to achieve the specified sound rating. Panel Faces are replaceable at the site.

ACOUSTICS: Acoustic walls are classified by a STC (Sound Transmission Class) rating for their effectiveness in reducing transmitted sound. Based on Acoustic Requirements the panels shall be of STC 45 or STC 52. STC 45 shall make the wall with loud speech barely audible on other side & STC 52 shall make the wall with shouting barely audible on other side.

CLOSURE: The movable acoustic wall shall be acoustically opened & closed with the help of an expanding panel located at the stacking end of the system. There is an over-sleeve on the expanding panel which can be expanded side ways to lock the acoustic wall in place. The oversleeve is expanded and retracted by a removable handle in the face of pane.

STACKING: While opening of movable acoustic wall, panels shall be parked in a side stack configuration which means that single panels are hung at two points at the top corners of each panel. Panels will stack with one point remaining on the main track and other on the side track.

SEALS: There shall be sweep seals at the top of the panels to seal them acoustically to the track. There shall be retractable seals at the bottom of the panels to seal them acoustically to the floor.

For wooden partitions:

Panel Thickness	DB Value	Maximum Panel Height(mm)	Maximum Panel Width(mm)
85 mm	45 DB	12000	1250
100 mm	52 DB	12000	1250

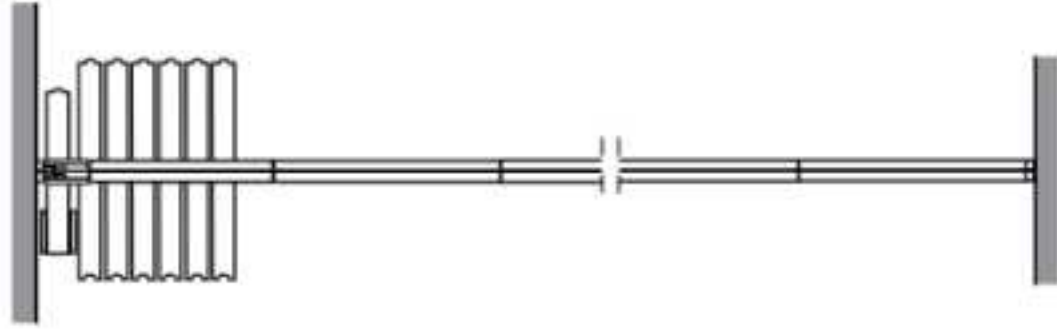
For glass (see through) partitions:

Panel Thickness	DB Value	Maximum Panel Height(mm)	Maximum Panel Width(mm)
85 mm	43 DB	3000	1200

OMAW - MOVABLE ACOUSTIC WALL PARTITION SYSTEM

Stacking Options

One Point Suspension & perpendicular to track



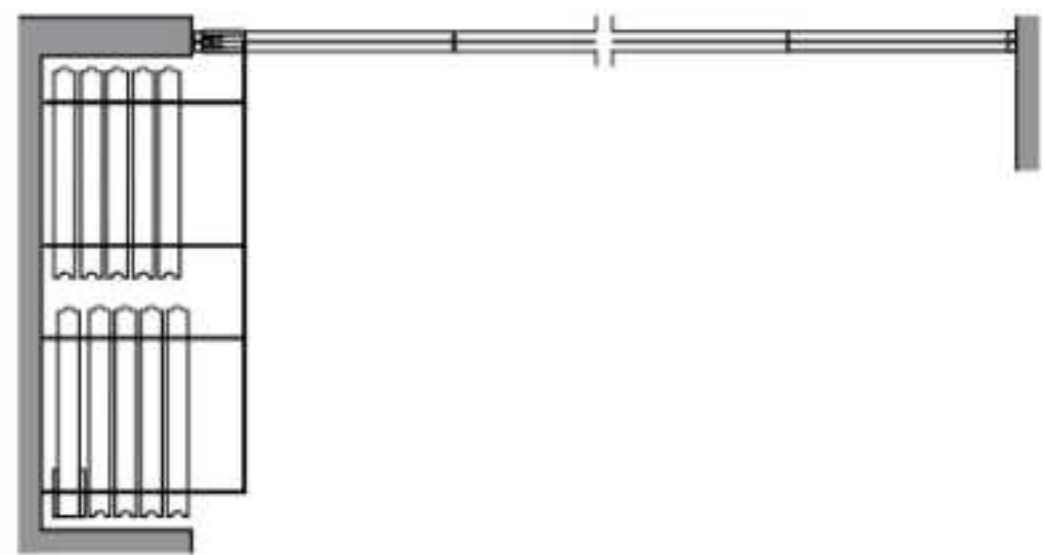
Two Point Suspension & perpendicular to track



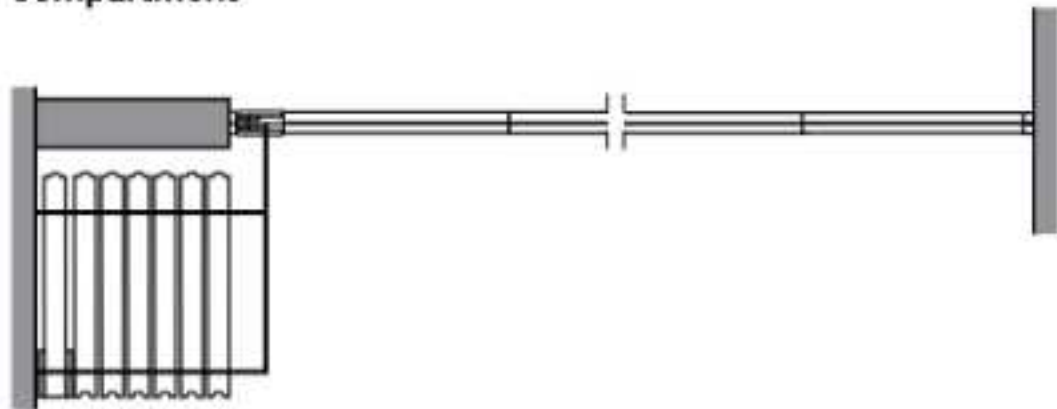
Two Point Suspension & parallel to track



Two Point Suspension, perpendicular to track & multiple stacks



Two Point Suspension, perpendicular to track in closed compartment



Watch Video

